

# Chamlide magnetic chamber

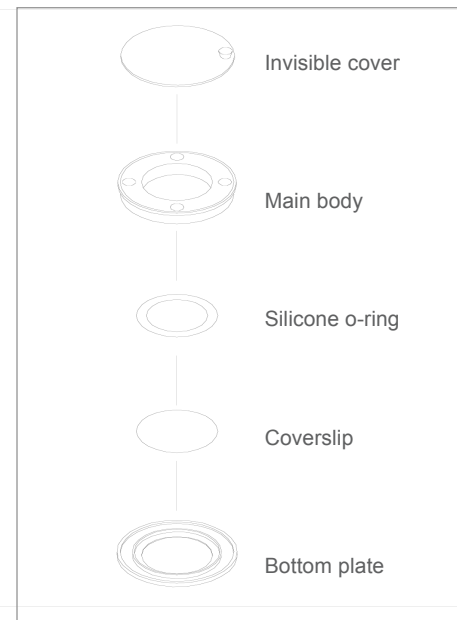
## 35mm dish type magnetic chambers for coverslips

### Chamlide™ Chamber

- The Chamlide™ uses a **patented magnetic system** for easy assembly.
- Conventional screw-type assembly systems often result in broken coverslips, drying out the medium during assembly, or leaking of the medium during observation. Installing a coverslip into a Chamlide™ takes seconds. It is extremely easy to use, safe and never leaks.
- A re-useable Chamlide™ can replace several expensive consumable coverslip-bottomed 35mm dishes.
- Chamlide can be used with the Chamlide multi-hole bottom plate and the Chamlide 6-dish adaptor.
- Control the temperature and the CO<sub>2</sub> level using Chamlide TC, Chamlide IC, or 6-well type Chamlide WP for live cell imaging.



35mm dish type magnetic chamber for 18mm and 25mm coverslips



Patented magnetic chamber system

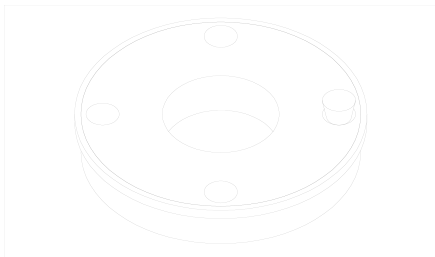
### Magnetic chamber Assembly

1. Culture the cells on a coverslip.
2. Using forceps, transfer a coverslip to the bottom plate.
3. Install the main body.  
(The main body will automatically attach to the bottom plate by **magnetic force**)
4. Fill the chamber with an observation medium.

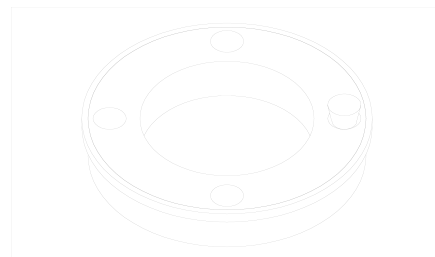
\* You can also use pre-assembled chambers to directly seed the cells.

## Specifications

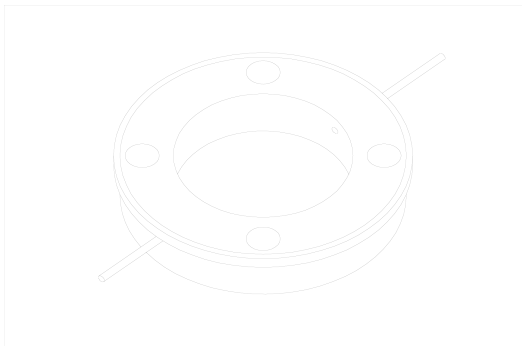
35mm dish type magnetic chamber for 18mm coverslip internal volume	Maximum 1.2 ml								
35mm dish type magnetic chamber for 25mm coverslip internal volume	Maximum 2.7 ml								
Chamber material	<table border="0"> <tr> <td>Body</td> <td>Black PEEK</td> </tr> <tr> <td>Bottom</td> <td>Aluminum alloy</td> </tr> <tr> <td>Cover</td> <td>Glass</td> </tr> <tr> <td>O-ring</td> <td>Silicone</td> </tr> </table>	Body	Black PEEK	Bottom	Aluminum alloy	Cover	Glass	O-ring	Silicone
Body	Black PEEK								
Bottom	Aluminum alloy								
Cover	Glass								
O-ring	Silicone								



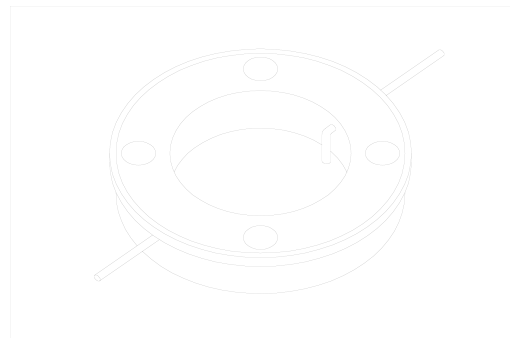
35mm dish type black chamber for 18mm round coverslip



35mm dish type black chamber for 25mm round coverslip



Injection type magnetic chamber for 25mm round coverslip



Perfusion type magnetic chamber for 25mm round coverslip

### Model No.

CM-B-30

CM-B-40

CM-B-30PA

CM-B-30PB

CM-B-40PA

CM-B-40PB

### Product

35mm dish type magnetic chamber for 18mm round coverslip

35mm dish type magnetic chamber for 25mm round coverslip

Injection type magnetic chamber for 18mm round coverslip

Perfusion type magnetic chamber for 18mm round coverslip

Injection type magnetic chamber for 25mm round coverslip

Perfusion type magnetic chamber for 25mm round coverslip