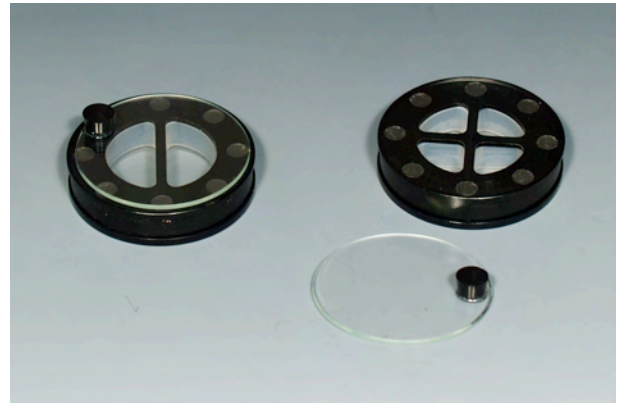


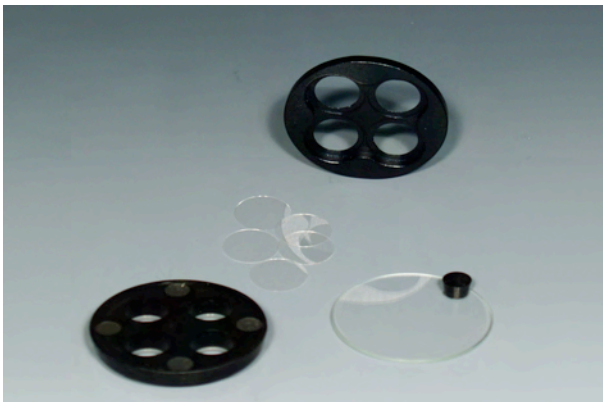
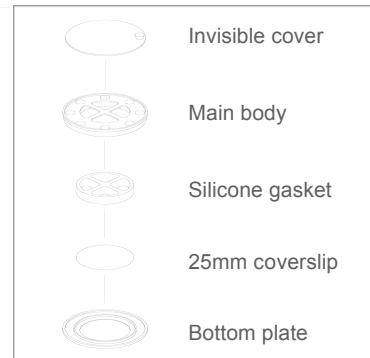
# Chamlide magnetic multi-well chamber

35mm dish type magnetic multi-well chambers for coverslips



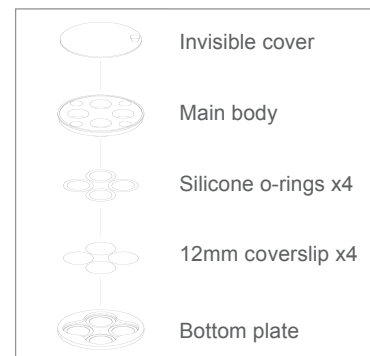
Chamlide 2- & 4-well chambers for 25mm round coverslips

- 2-well chamber and 4-well chamber for 25mm round coverslips.
- Silicone gasket prevents bleeding of the medium between wells.
- Other features are the same as the Chamlide magnetic chamber
- Can use with Chamlide multi-hole bottom plate.
- Control the temperature and the CO<sub>2</sub> level using Chamlide TC, Chamlide IC, or 6-well type Chamlide WP for live cell imaging.



Chamlide 4-well chamber for 12mm round coverslips

- 4-well chamber for 12mm round coverslips.
- Uses four 12mm round coverslips and four silicone o-rings.
- Other features are the same as the Chamlide magnetic chamber.
- Can use with Chamlide 6-dish adaptor.
- Control the temperature and the CO<sub>2</sub> level using Chamlide TC, Chamlide IC, or 6-well type Chamlide WP for live cell imaging.





Chamlide 2 well chamber for 25mm round coverslip

Chamlide 4 well chamber for 25mm round coverslip

Chamlide 4 well chamber for 12mm round coverslip

❖ **Perfusion cover for Chamlide multi-well chambers**



- To perfuse fresh medium or add drugs into the Chamlide multi-well chamber, use the Perfusion cover pictured above.

**Specifications**

25mm coverslip type 2-well magnetic chamber internal volume		Maximum 1.0 ml / well
25mm coverslip type 4-well magnetic chamber internal volume		Maximum 450 µl / well
12mm coverslip type 4-well magnetic chamber internal volume		Maximum 400 µl / well
Chamber material	25mm coverslip type 2-, 4-well magnetic	Body Black acetyl component
	12mm coverslip type 4-well magnetic chamber	Body Black PEEK
		Bottom Aluminum alloy
		Cover Glass
		Gasket Silicone

**Model No.**

CM-M-50  
 CM-M-60  
 CM-M-70  
 CM-M-PC

**Product**

35mm dish type 2-well magnetic chamber for 25mm round coverslip  
 35mm dish type 4-well magnetic chamber for 25mm round coverslip  
 35mm dish type 4-well magnetic chamber for 12mm round coverslip  
 Perfusion cover for Chamlide multi-well chambers