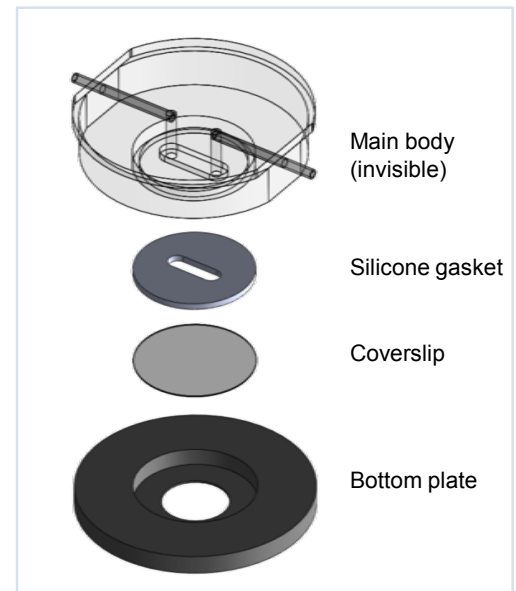


Chamlide CF

Perfusion type closed magnetic chamber, Shear stress chamber



- Closed type but perfusion is also possible.
- Patented magnetic system for easy assembly..
- Either a 1-way peristaltic pump or a syringe pump can be used to control the flow.
- Temperature is controlled by a heating plate.
- For perfusion, use the fluidic inline heater to control medium temperature.
- The thickness of the silicone gasket is even, and the internal volume depends on the height of the projecting part toward the bottom of the main body.
- If the height of the channel is **200µm**, it can use for cell adhesion studies by **shear stress**.
- The shape of gasket inside can be custom-made.



Specifications

Magnetic closed chamber internal volume

Depends on channel shape and size

Material

Main body Acryl
 Bottom Black anodized aluminum alloy
 Gasket Silicone

Model No.	Product	(internal height)	Model No.	Product	(internal height)
CF-S15-A	Chamlide CF for 15mm round coverslip	(0.2mm)	CF-S20-C	Chamlide CF for 20mm round coverslip	(1.0mm)
CF-S15-B	Chamlide CF for 15mm round coverslip	(0.5mm)	CF-S22-A	Chamlide CF for 22mm round coverslip	(0.2mm)
CF-S15-C	Chamlide CF for 15mm round coverslip	(1.0mm)	CF-S22-B	Chamlide CF for 22mm round coverslip	(0.5mm)
CF-S18-A	Chamlide CF for 18mm round coverslip	(0.2mm)	CF-S22-C	Chamlide CF for 22mm round coverslip	(1.0mm)
CF-S18-B	Chamlide CF for 18mm round coverslip	(0.5mm)	CF-S25-A	Chamlide CF for 25mm round coverslip	(0.2mm)
CF-S18-C	Chamlide CF for 18mm round coverslip	(1.0mm)	CF-S25-B	Chamlide CF for 25mm round coverslip	(0.5mm)
CF-S20-A	Chamlide CF for 20mm round coverslip	(0.2mm)	CF-S25-C	Chamlide CF for 25mm round coverslip	(1.0mm)
CF-S20-B	Chamlide CF for 20mm round coverslip	(0.5mm)			