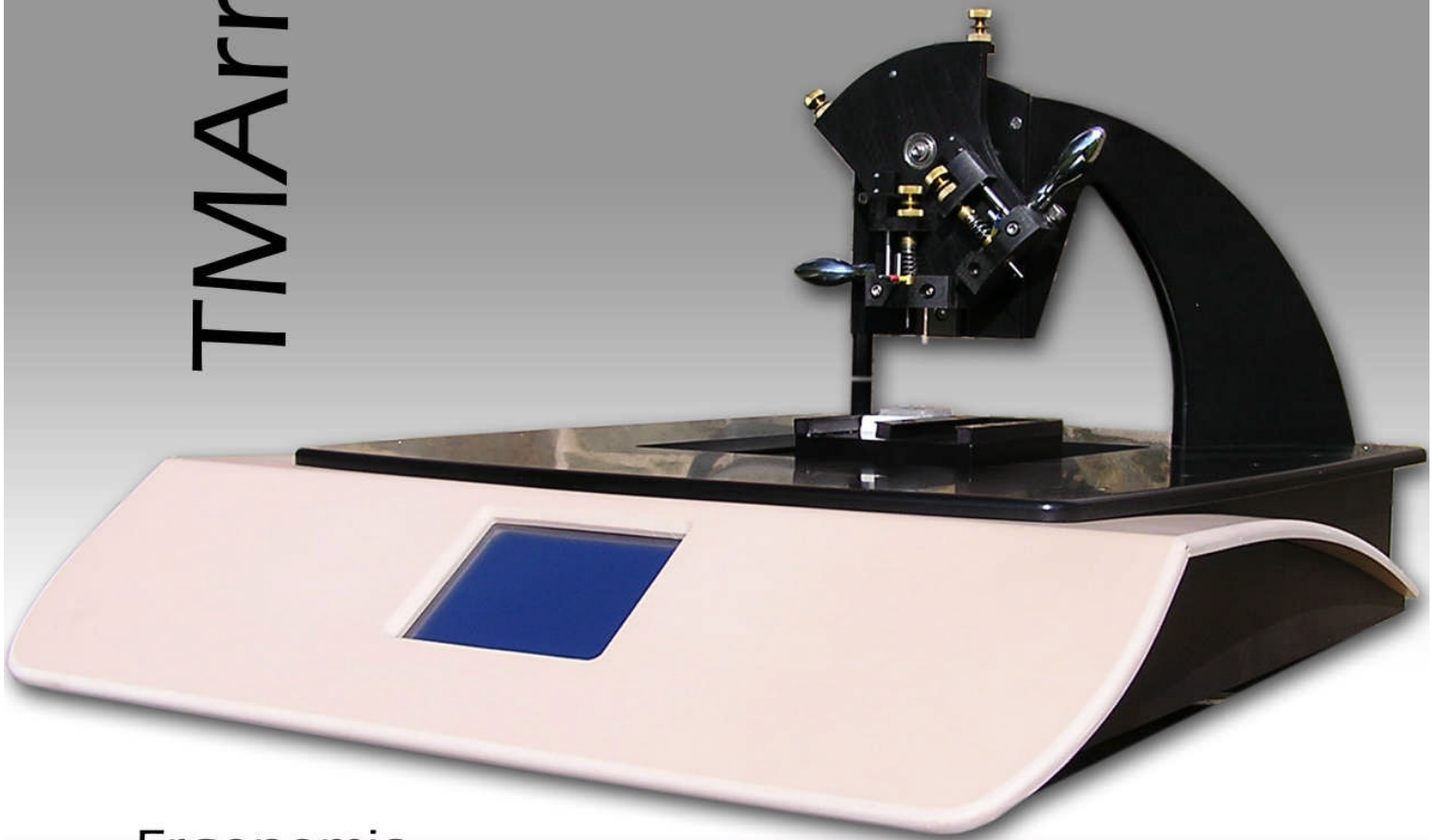


TM TMArrayer



Ergonomic
Fast and Easy
Accurate and Precise
1-4 Recipient Blocks

Semi-Automated Tissue Arrayer

With the explosion of research taking advantage of Tissue MicroArrays (TMA), we've focused on developing a low cost tissue array construction instrument that combines easy to use elements of automation where it is needed most, yet not burdening the instrument with automation better controlled by a user.

Construction of tissue microarrays is no longer cumbersome, overly complicated, or physically uncomfortable with the introduction of the TMArrayer™. All tedious position movements have been automated through a simple touch screen interface, and the housing has been ergonomically designed from the ground up.

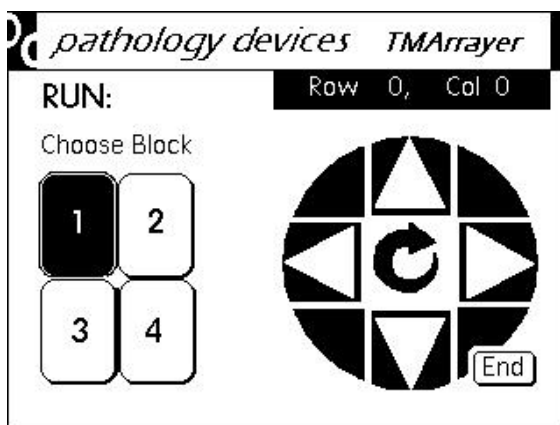
The TMArrayer™ offers you fine control over the more delicate operations of extracting donor cores while precisely placing them at that same height in one to four recipient blocks.

The adjustable travel stops for the donor and recipient punches cooperate with their stylus stops to consistently place cores without guessing where the core ends up. *No more pushing cores down with a microscope slide.* Also, allowing the cores to be placed below the surface of the recipient block results in fewer wasted sections.

Once the settings and adjustments have been made, even casual and inexperienced operators can work at a rate of one core every 20 seconds or less. That is a speed that rivals fully automated systems without the expense and complexity.

Standard Features:

- Automated X-Y Stage
- 1 to 4 Recipient Blocks
- Ergonomic Wrist Rest
- Handles for Easy Punch Operation
- Simple Touch Screen Control
- Adjustable Donor Deposit Depth
- Guided Stylus with Spring Return
- Punches Rotate on Axis
- Settings and positions are saved in memory making it easy to resume operation after power down
- Capable of using Beecher Instruments Punches
- Donor block is clamped while taking cores



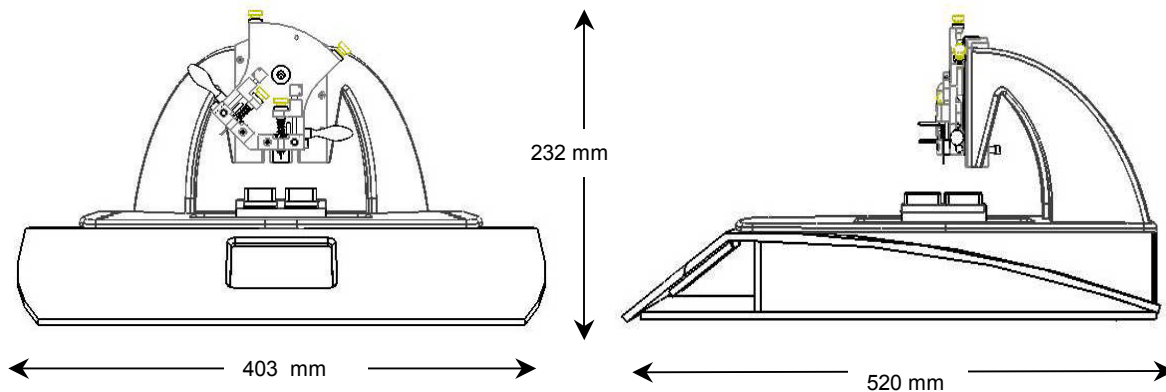
The "Run Screen" shows the current Row and Column position or millimeters if desired. Any recipient block can be chosen at any time with the "Choose Block" buttons. The *arrow* move buttons will move the system to the next row or column by the spacing distance programmed in a previous screen. During an actual movement, the animation in the center of the move buttons will stop when the move has completed.

Specifications:

- Range of motion:
90 mm x 90 mm
- Speed: 23 mm / sec
- Positional Resolution: 0.5 μ m
- Positional Repeatability: 1.5 μ m
- Average move time: < 2.0 sec
- Punch Options:
0.6, 1.0, 1.5 and 2.0 mm
- Power:
100-240 VAC 547/63 Hz @ 1.7A
- Weight: 9.5 kg
- Size D x W x H:
520 x 403 x 232 mm

Setup of spacing, starting positions, and display of actual positions either in rows and columns or in millimeters is all handled through the simple touch screen user interface.

The TMArrayer™ utilizes spring return guided stylus punches that are easy to install and use. Guiding the stylus eliminates need to handle the stylus directly thereby reducing the risk of bending the stylus. The spring return is essential when you want to clear residual paraffin from the punch with a couple of quick actuations.



Ordering Information:

Item	Part#
TMArrayer	021100
0.6 mm Punch	02110004
1.0 mm Punch	02110005
1.5 mm Punch	02110006
2.0 mm Punch	02110007

P.O. Box 1093 Westminster, MD 21157
V 410.876.5004 : F 410.876.6006
www.pathologydevices.com

All information subject to change
© 2005-2006 Pathology Devices, Inc.